



UTTERMOST

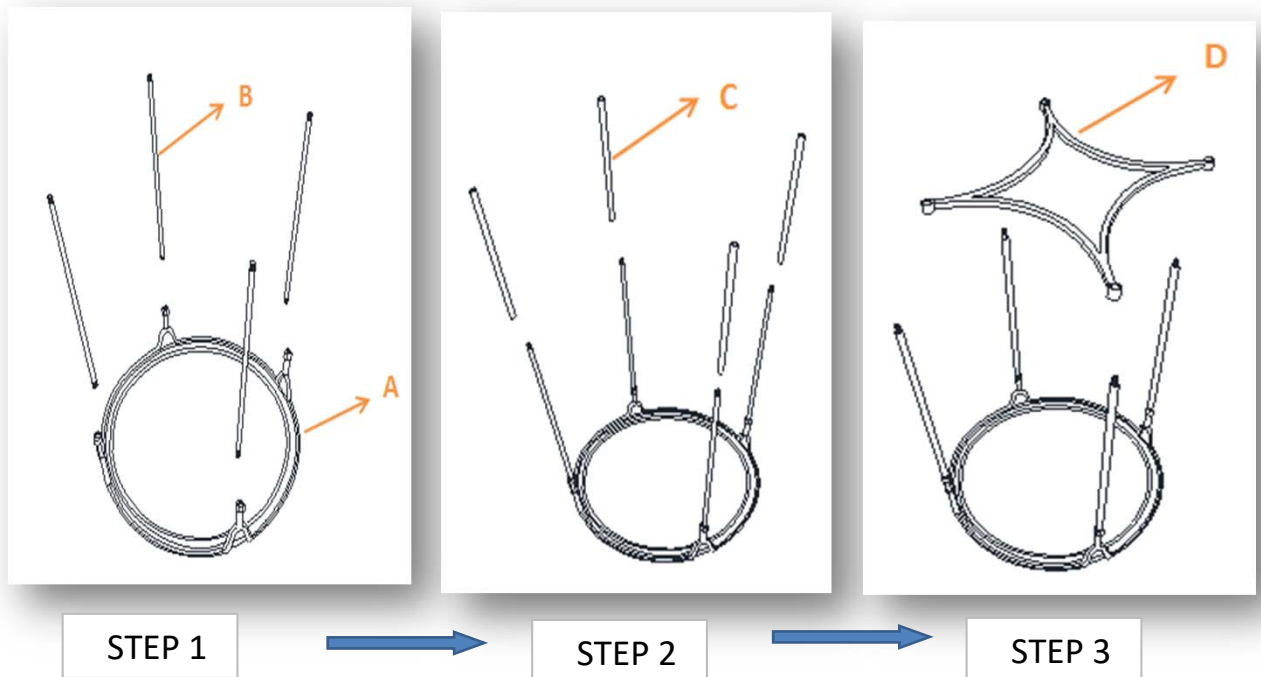
Assembly Instruction

Item :24469

Parts/Hardware list

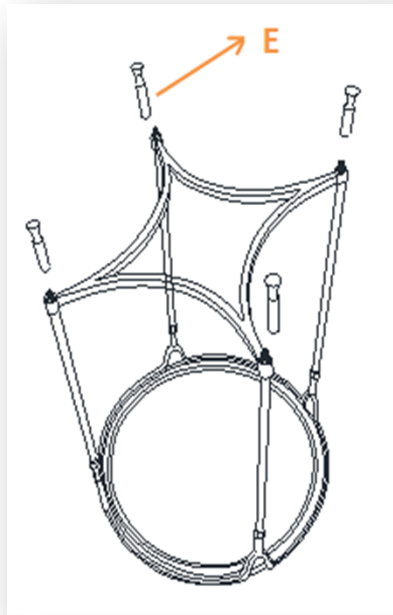
A	Table Top	1 PC	E	Feet	4 PCS
B	Threaded Rod	4 PCS	F	Felt pad	4 PCS
C	Leg Tube	4 PCS	G	Tempered Glass	1 PC
D	Stretcher	1 PC			

1. Take the parts carefully out of the carton, and place them on a flat and soft surface, making sure that the parts will not be damaged.
2. Place the Table top (A) upside down on a flat & soft surface.
3. Assemble threaded Rod(B) on the Table top(A). Then, Slide the Leg Tube(C) over the threaded Rod(B).
4. Assemble the Stretcher(D) on Leg tubes (C) and threaded rods (B) , then screw Feet (E) on threaded Rods (B).

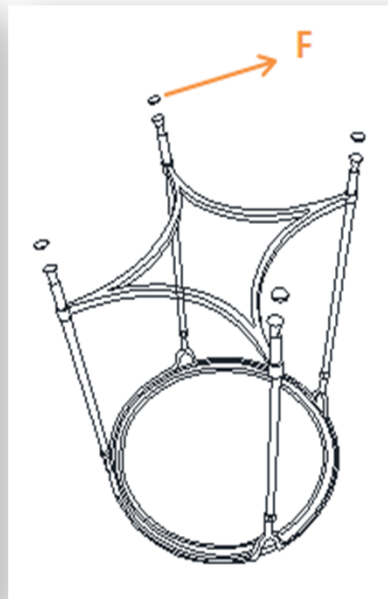


5. Stick the Felt pads(F) on the bottom of the Feet (E)

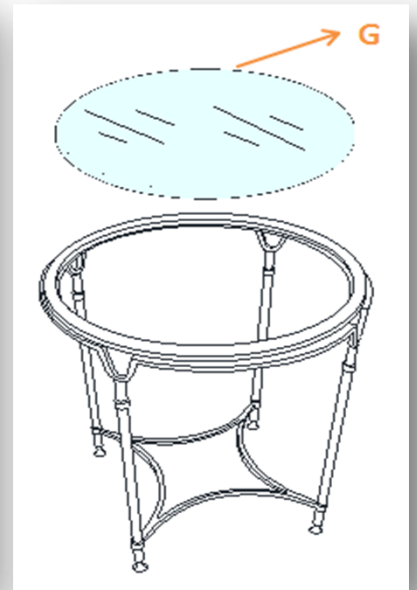
6. Turn over table, place the Tempered Glass (G) on Table Top (A).



STEP4



STEP 5



STEP 6

6. Softly clean & wipe with dry cloth.

